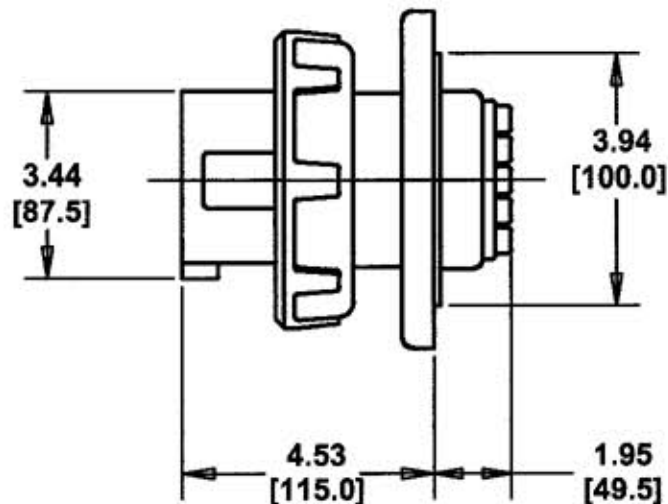
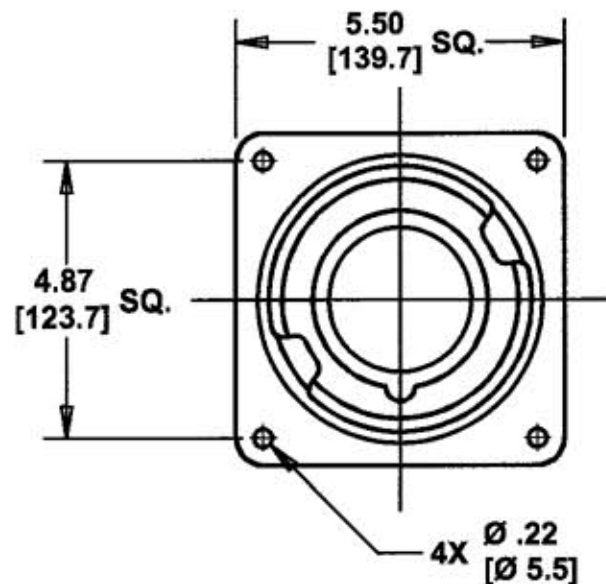


M-6066 3



LIST OF PARTS		
DESCRIPTION	MATERIAL	FINISH
HOUSING	SEE TABLE	
GASKET	NEOPRENE	
LOCK RING	POLYESTER	
INTERIOR	THERMOSET	
PINS	BRASS	
TERMINAL SCREWS	ST. STEEL	
FLANGE	NYLON	
ASSEMBLY SCREWS	ST. STEEL	

DIMENSION SHEET FOR CAT. NO. SEE TABLE

REPAIRABLE

NON-REPAIRABLE

B

M-6066

3

CAT. NO.	CONFIGURATION	RATING	COMMENTS	HOUSING		CAT. NO.	CONFIGURATION	RATING	COMMENTS	HOUSING	
				MATERIAL	COLOR					MATERIAL	COLOR
						HBL3100B7W		100 A 480 VDC		NYLON	RED
HBL3100B4W		100 A 125 VAC		NYLON	YELLOW						
HBL3100B6W		100 A 250 VAC		NYLON	BLUE						
HBL3125B6W		125 A 220-240 VAC									

3 REDRAWN ON CAD WITH CHANGES. ADDED NOTES 1 & 2, "HOUSING" AND "COMMENTS" COLUMNS TO TABLE. "Ø" WAS "DIA." AND "[XX.X]" WAS "MM". REMOVED CAT. NO.'S HBL3100B3W, HBL3100B5W, & 3100B9W FROM TABLE. IN LIST OF PARTS, "SEE TABLE" WAS "NYLON" AND "NEOPRENE" WAS "RUBBER". .22 DIM. WAS 7/32; 4.87/[123.7] SQ. WAS 4.875/123.82MM SQ. SUPERSEDES DWG. DATED 5/7/80 PER DCN #12944. JMN

DJP 6/14/06

SYM	REVISIONS	APP	DATE

THE DESIGN AND DIMENSIONS OF THE PRODUCT SHOWN ON THIS DRAWING ARE SUBJECT TO CHANGE WITHOUT NOTICE

TITLE
100A & 125A 2 POLE 3 WIRE PIN AND SLEEVE INLET

NOTES (UNLESS OTHERWISE SPECIFIED)
 1) TOLERANCES ARE:
 DECIMALS ± .03
 ANGLES ± 2°
 2) DIMENSIONS ARE: INCHES [MILLIMETERS]

TOLERANCES UNLESS OTHERWISE SPECIFIED	WIRING DEVICE—KELLEMS	
	HUBBELL INCORPORATED	
	BRIDGEPORT, CT	
	DR. BY W.T.C.	APP. BY DJP
TR. BY JMN	SCALE NONE	
CHK'D BY DJP	DATE 6/14/06	